



**Caspar-David-Friedrich-Straße 10A - 85092 Kösching**

**edabautomation@gmail.com**

**+48 692 404 414**

**www.edabautomation.com**

**V.26.06.19**

**- 2019 -**

**SUCTION CUPS**

## LIST OF PRODUCTS

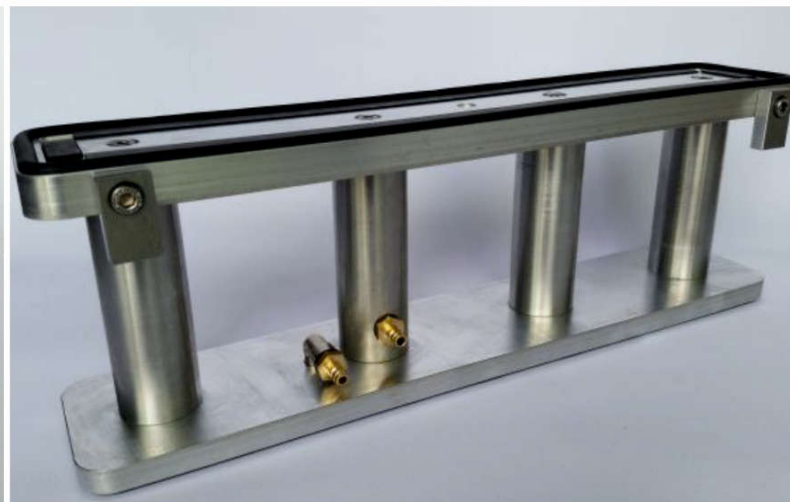
---

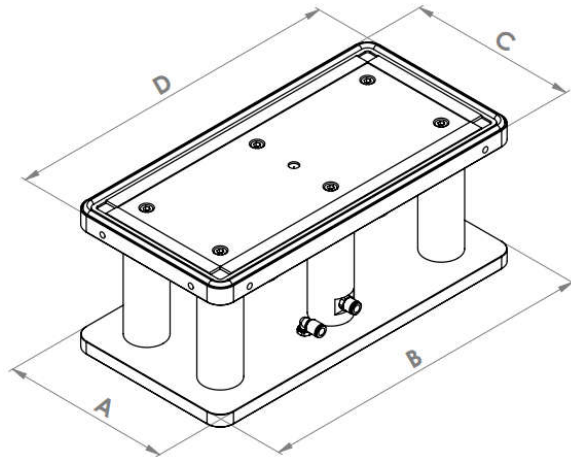
<b>ALUMINIUM SUCTION CUPS</b> .....	<b>3</b>
ALUMINIUM RECTANGULAR SUCTION CUPS .....	3
ALUMINIUM ROUND SUCTION CUPS.....	5
<b>PLASTIC SUCTION CUPS</b> .....	<b>6</b>
PLASTIC ROUND SUCTION CUPS.....	6
<b>MECHANICAL SUCTION CUPS</b> .....	<b>7</b>
MECHANICAL RECTANGULAR SUCTION CUPS .....	7
<b>ACCESSORIES /CONNECTORS/</b> .....	<b>8</b>
<b>ACCESSORIES /HOSE CABLE/</b> .....	<b>9</b>
<b>ACCESSORIES /SEALS/</b> .....	<b>10</b>
<b>ACCESSORIES /HOSE CABLE/</b> .....	<b>10</b>
<b>ACCESSORIES /VACUNOMETR/</b> .....	<b>11</b>

---

## ALUMINIUM SUCTION CUPS

### ALUMINIUM RECTANGULAR SUCTION CUPS



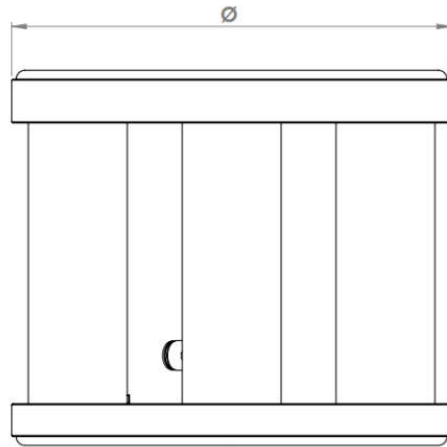


CODE	DIMENSIONS [mm]			
	TOP		BOTTOM	
	C	D	A	B
<b>SC050300A</b>	50	300	100	300
<b>SC50500A</b>	50	500	100	500
<b>SC75300A</b>	75	300	100	300
<b>SC75500A</b>	75	500	100	500
<b>SC100300A</b>	100	300	100	300
<b>SC100500A</b>	100	500	100	500
<b>SC150150A</b>	150	150	150	150
<b>SC150300A</b>	150	300	150	300
<b>SC150500A</b>	150	500	150	500
<b>SC200300A</b>	200	300	200	300
<b>SC200400A</b>	200	400	200	400
<b>SC250500A</b>	250	500	250	500
<b>SC400400A</b>	400	400	400	400

\* Standard height: 140mm & 165mm;

\*\* Other sizes available on request.

## ALUMINIUM ROUND SUCTION CUPS



	DIMENSIONS [mm]
CODE	DIAMETER
<b>SC80A</b>	80
<b>SC120A</b>	120
<b>SC160A</b>	160
<b>SC200A</b>	200
<b>SC250A</b>	250
<b>SC350A</b>	350

\* Standard heigh:140mm & 165mm;

\*\* Other sizes available on request.

## PLASTIC SUCTION CUPS

### PLASTIC ROUND SUCTION CUPS



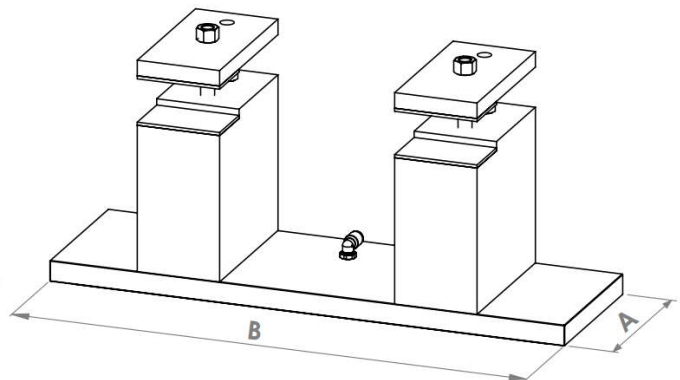
	DIMENSIONS [mm]
CODE	DIAMETER
<b>SC80P</b>	80
<b>SC120P</b>	120
<b>SC160P</b>	160
<b>SC200P</b>	200
<b>SC250P</b>	250
<b>SC350P</b>	350

\* Standard heigh:140mm & 165mm;

\*\* Other sizes available on request.

## MECHANICAL SUCTION CUPS

### MECHANICAL RECTANGULAR SUCTION CUPS



CODE	DIMENSIONS [mm]		Mounting
	A	B	
SC150300M	150	300	1 clamp
SC150500M	150	500	2 clamps
SC250300M	250	300	1 clamp

\* Standard height: 140mm & 165mm;

\*\* Other sizes available on request.

**ACCESSORIES /CONNECTORS/**



**MALE CONNECTOR FITTED ON CABLE**

**MALE CONNECTOR WITH THREAD**



**FEMALE CONNECTOR FITTED ON CABLE**

**FEMALE CONNECTOR WITH THREAD**



**CLAMP TAPE**



**ACCESSORIES / HOSE CABLE /**



**TWIN CABLE**

**TWIN CABLE WITH FITTINGS  
PERMANENTLY FIXED**



**TWIN CABLE WITH FITTINGS  
WITH THE POSSIBILITY OF DISCONNECTION**

**ACCESSORIES /SEALS/**



**FLAT SEAL  
STRAIGHT**



**FLAT SEAL  
ROUND**



**MOUSE GASKET**

**ACCESSORIES /VACUNOMETR/**



**VACCUM METER**

---

**VACCUM METER SET**

